

Betriebsanleitung
 Operating Instructions
 Instructions de service
 Istruzioni d'uso
 Handleiding
 Instrucciones para el manejo
 Manual de instruções
 Naudojimosi instrukcija
 Kasutusjuhend
 Lietošanas instrukcija
 Driftsinstruks
 Driftsinstruktioner
 Käyttöohje
 Driftsvejledning
 Instrukcja obsługi

Kezelési útmutató
 Návod k obsluze
 Navodilo za uporabo
 Návod na obsluhu
 Upute za rad
 Manual de operatii
 Treoracha Oibriúcháin
 Οδηγίες χρήσης
 El Kitabi
 Инструкции за експлоатация
 Инструкция по эксплуатации
 取扱説明書
 사용설명서
 使用说明书

2006/42/EG



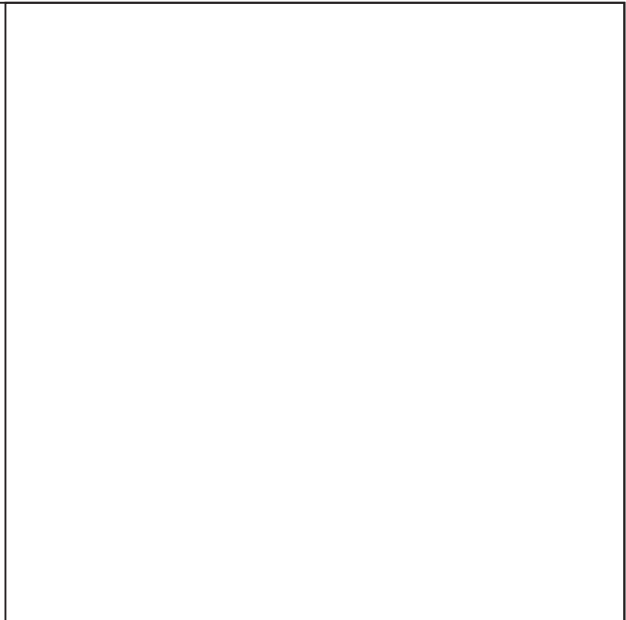
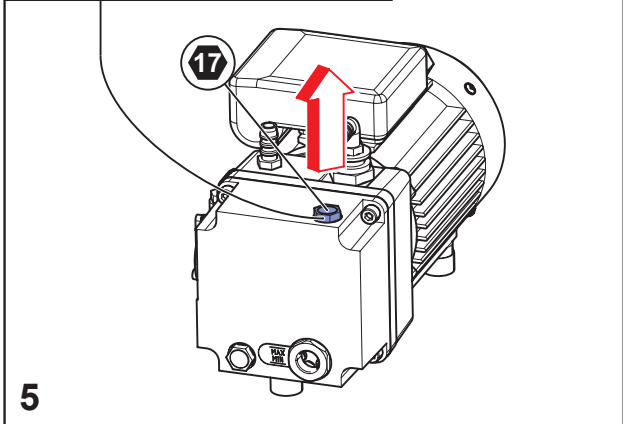
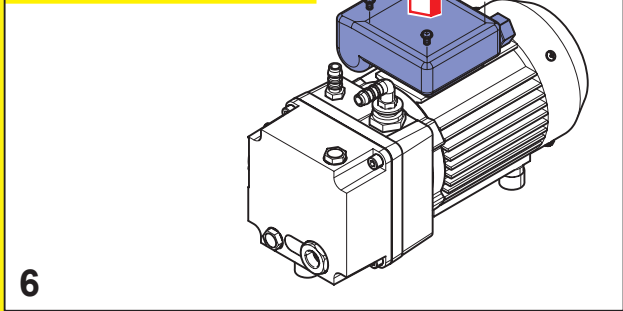
DIN EN ISO 14001:2005

DIN EN ISO 9001
001929 QM

<p>E.4</p> <p>0.15 Liter</p>		<p>mbar</p>
		<p>m³/h</p>
<p>AIR</p> <p>1</p>		<p>DIN EN ISO 3744</p> <p>2</p> <p>$L_{pA} = 54,5 \text{ dB(A)} - 50\text{Hz}$ $L_{pA} = 56,1 \text{ dB(A)} - 60\text{Hz}$ $K_{pA} = 3 \text{ dB(A)}$</p>

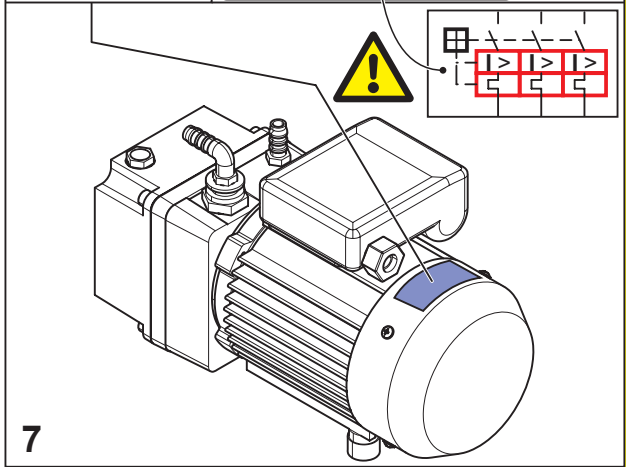
	<p>35°C/95°F</p> <p>5°C/41°F</p> <p>max. 90% rel.</p> <p>max. 1000m</p>
<p>INLET AIR</p> <p>40°C/104°F</p> <p>0°C/32°F</p> <p>A > 100mm</p> <p>A > 4"</p>	
<p>18 kg</p> <p>40 lbs</p> <p>3</p>	<p>4</p>

Oil
► E.4
0.15 Liter

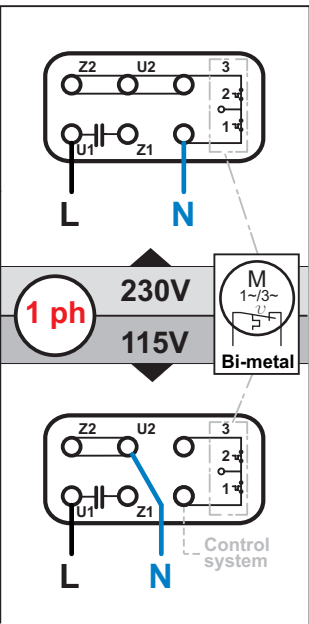
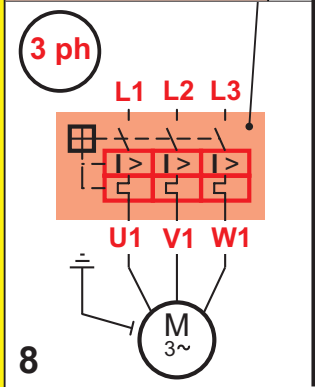
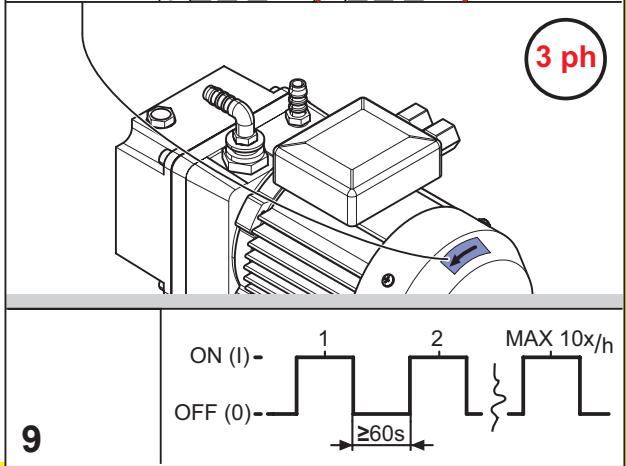



i+

Motor	~X	XX KW
Type	XXXX	
X.X A	I_{max} 4.3 A	XXXX rpm
cos φ	0.X	XX °C IPXX
XXX-XXX	± X% V / XX Hz	
XXX	XXX	XXX
XXX	XXX	XXX



Provide motor protection switch

--	--	--	--

10

optional en option opcionale opcional		
--	--	--

11

optional en option opcionale opcional			
--	--	--	--

O 5.6/0-29

12

--	--	--

13

--	--


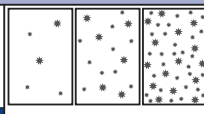

A

--	--

B

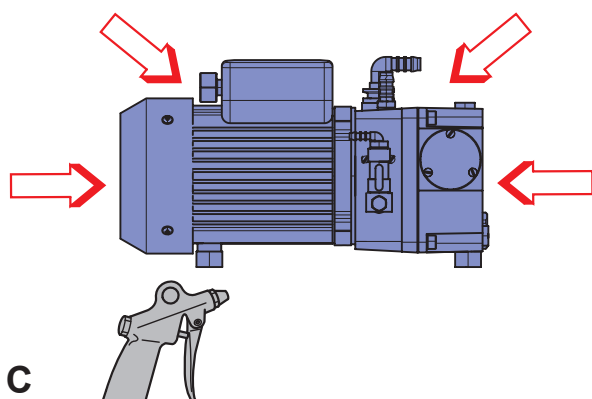
n=0min⁻¹




2-3 Min

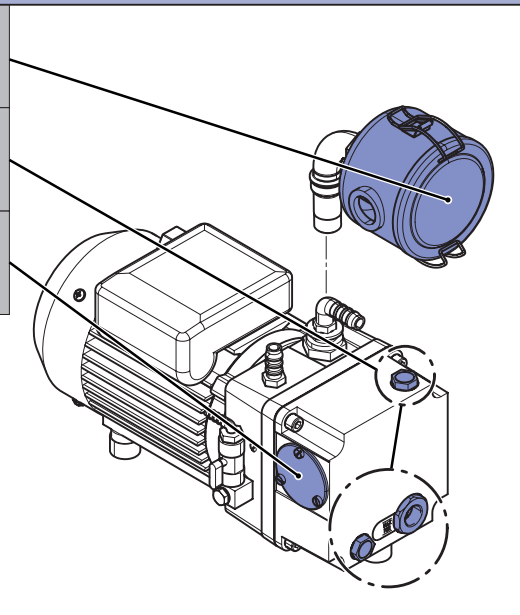




40 - 200 h **AIR ?** EN149 - FFP3
42 CFR 84 - N100


C






 G
 E1-4
 F



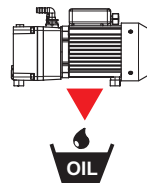

D

MAX ▼ 
 MIN ▲

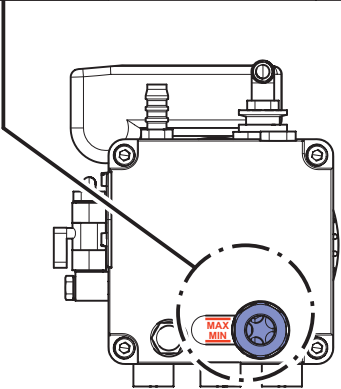
1x/d


 **< MIN**
 **E.4**

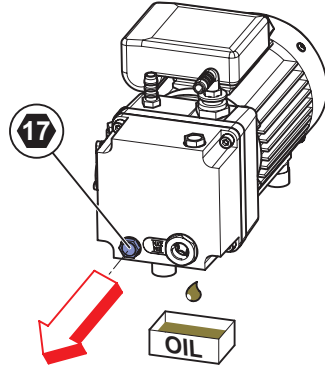
1. = 100 h
 2. = 500-2000 h
 ... (min. 2x/a)


 **OIL**




E.1



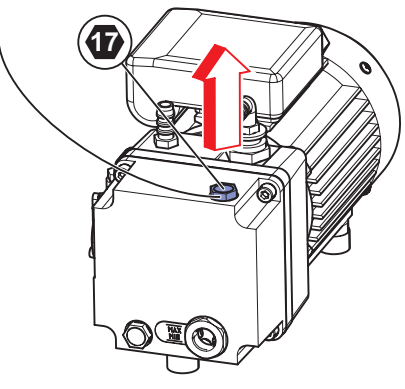
E.2



 **E.4**
0.15 Liter


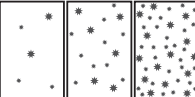



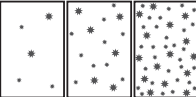

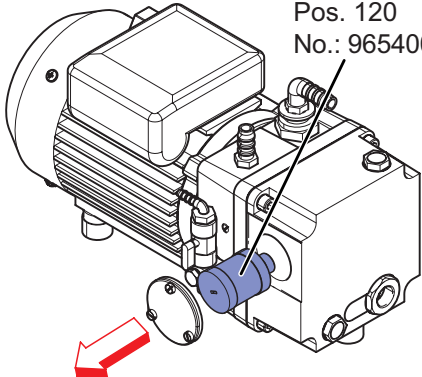
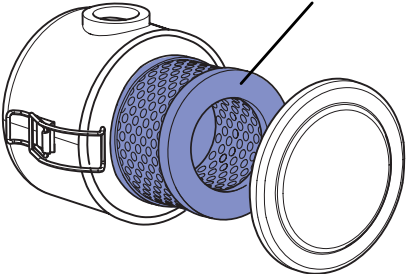
 




E.3



96000900025	Becker Lube M 100 Mineral oil (0.25 Liter)
96001600025	Becker Lube S 100 Synthetic oil (0.25 Liter)
96002300025	Becker Lube SL 100 "Food" oil (0.25 Liter)

E.4

 500-2000 h (min. 2x/a)	 AIR ?	 	 40 - 200 h	 AIR ?	MIN 1x/a 
F  <p>Pos. 120 No.: 96540055200</p>			G  <p>No.: 84040105000 (paper) No.: 90956500000 (polyester)</p>		

 <p>www.becker-international.com</p>	 <p>Gebr. Becker GmbH Hölker Feld 29-31 D-42279 Wuppertal info@becker-international.com</p> <hr/>  <p>SERVICE www.becker-international.com Sales and service network</p>
--	---